



Motion Control Systems

Series 3242...BX4 CS/CC/CO

Series 3268...BX4 CS/CC/CO

Series 3564...B CS/CC/CO

Technical Manual

EN

Imprint

Version:
6th issue. 15.11.2015

Copyright
by Dr. Fritz Faulhaber GmbH & Co. KG
Daimlerstr. 23/25 · 71101 Schönaich

All rights reserved, including those to the translation.
No part of this description may be duplicated, reproduced, stored in an information system or processed or transferred in any other form without prior express written permission of Dr. Fritz Faulhaber GmbH & Co. KG.

This technical manual has been prepared with care.
Dr. Fritz Faulhaber GmbH & Co. KG cannot accept any liability for any errors in this technical manual or for the consequences of such errors. Equally, no liability can be accepted for direct or consequential damages resulting from improper use of the equipment.

The relevant regulations regarding safety engineering and interference suppression as well as the requirements specified in this technical manual are to be noted and followed when using the software.

Subject to change without notice.

The respective current version of this technical manual is available on FAULHABER's internet site:
www.faulhaber.com

Overview

This instruction manual contains instructions on how to install and use the FAULHABER Motion Control Systems (drives), Series 32xx...BX4 Cx and 3564...B Cx.

It is also necessary to use the communication and function manual for the commissioning, depending on the chosen interface option. Accordingly, reference is made here and elsewhere in this technical manual to the communication and function manual. Please note and follow the instructions given there.

Overview of the FAULHABER Motion Control Systems documents

Document	Contents
Technical Manual	Device installation, safety, specification
Communication and function manual (CANopen FAULHABER)	Initial start-up, function overview, protocol description, parameter description and notes on autonomous sequential programs (only RS232)
Communication and function manual (CANopen CiA)	
Communication and function manual (RS232)	
Motion Manager instruction manual	Operation of the "FAULHABER Motion Manager" PC software for configuration and commissioning
Product data sheets	Technical limit and operating data

NOTE



The documentation is available on request or on the FAULHABER internet page (www.faulhaber.com).

Table of Contents

1	Important Information	5
1.1	Symbols used in this technical manual	5
1.2	Safety instructions	6
1.3	Service/Maintenance	6
1.4	Troubleshooting	6
2	Description	7
2.1	General product description	7
3	Installation	9
3.1	Installation instructions	9
3.2	EMC compatible installation	11
3.3	Connections	12
3.3.1	Power supply	13
3.3.2	Separated electronic supply (Option 2993 or 3085)	13
3.3.3	Analog input	14
3.3.4	Digital input	14
3.3.5	Fault output	15
3.3.6	Interfaces	16
3.4	Connection examples	17
3.4.1	Command source via potentiometer	17
3.4.2	Homing and limit switches	17
3.4.3	External incremental encoder	18
3.5	Communication connection	19
3.5.1	RS232 connection	19
3.5.2	CAN connection	20
3.6	Baud rate and node number/node ID	21
4	Operation	22
4.1	Device start up	22
5	EC Product Safety Directives	23
6	Warranty	24

1 Important Information

This technical manual describes the handling and technical features of the following FAULHABER products:

Series 32xx...BX4 Cx and 3564...B Cx

The 32xx...BX4 Cx and 3564...B Cx series drives integrate a brushless DC servomotor of the 32xx...BX4 motor family with a high-resolution encoder and a motion controller in one complete drive unit.

- Please read the complete instruction manual and at least the quick guide and commissioning chapters in the communication and function manual before using the drive.
- Keep these instruction manuals in a safe place for later use.

The information given in this technical manual refers to the standard versions of the respective products. Please refer to any additional information sheet provided in the event of differences in information due to a requested product modification.

1.1 Symbols used in this technical manual

WARNING!



Warning!

This pictogram with the wording "Warning!" indicates an imminent danger which can result in physical injuries.

- ▶ *This arrow points out the appropriate action to take to prevent the imminent danger.*

CAUTION!



Caution!

This pictogram with the wording "Caution!" indicates an imminent danger which can result in slight physical injuries or material damage.

- ▶ *This arrow points out the appropriate precautions.*

REGULATION!



Regulations, guidelines and directives

This pictogram with the wording "Regulation" indicates a statutory regulation, guideline or directive which must be observed in the respective context of the text.

NOTE



Note

This "Note" pictogram provides tips and recommendations for use and handling of the component.

1 Important Information

1.2 Safety instructions

Observance of the following safety instructions is prerequisite for trouble-free and safe operation of the drive. Therefore, please carefully read through all the notes and follow them when using the drives.

Intended use

The FAULHABER Motion Control systems described here have been designed for controller operation of the integrated brushless motor. They have numerous functions and operating modes which enable flexible adjustment to the respective drive function.

Thanks to the compact design, the units can be integrated into diverse applications with minimal wiring. The flexible connection options open up a broad field of application in all areas, for example in decentralized automation technology systems, as well as in handling devices and machine tools.

The control parameters of the Motion Control systems can be individually adjusted to the respective application via a PC. The "FAULHABER Motion Manager" PC software for Microsoft Windows is available for commissioning and configuring the Motion Control systems and can be downloaded free of charge from the FAULHABER homepage www.faulhaber.com.

- The Motion Control systems contain electronic components and must be handled according to the ESD regulations.
- The Motion Control Systems may not be used in environments where contact with water, chemicals and/or dust is possible or in potentially explosive atmospheres.
- Please ask the manufacturer for information about possible product modifications for use in special ambient conditions.

1.3 Service / Maintenance

When used according to specification the devices are maintenance free for the operational lifetime of the device.

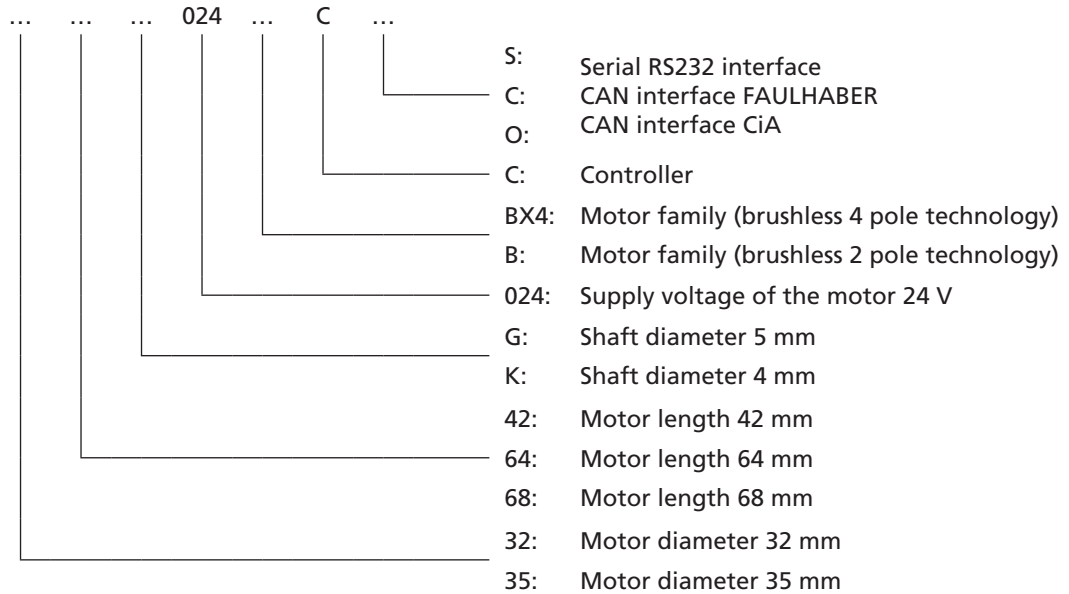
1.4 Troubleshooting

The device will not fail when used according to specification and the given instruction manuals. If malfunctions occur during proper intended use, please contact your responsible partner.

2 Description

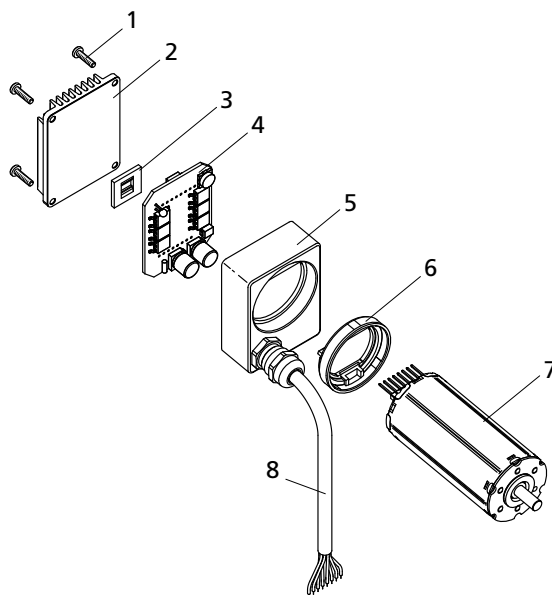
2.1 General product description

Product information



The drives integrate a brushless DC servomotor, a high-resolution encoder and a programmable position and speed controller, based on a high performance digital signal processor (DSP), within a complete drive unit.

Configuration example: 3268...BX4 Cx



2 Description

2.1 General product description

The drives are designed for different drive tasks, which can be configured via the respective communication interface.

Depending on the version, the following tasks can be performed:

- Position control with analog or digital command source.
- Velocity control with analog or digital command source.
- Acquisition of reference marks and limit switches.
- Enhanced operating modes such as step motor mode, electronic gear, voltage controller mode or current control with analog current preset.
- Execution of sequential programs stored in the controller (in RS232 version only).

Various inputs and outputs are available for implementation of these functions:

- **Analog input**

For use as:

- Command source via analog or PWM signal
- Digital input for reference marks and limit switches
- Pulse input
- Incremental encoder connection

- **Error output**

For use as:

- Digital output
- Pulse output
- Digital input for reference marks and limit switches
- Rotational direction input

- 1 additional **digital input**

For use as:

- Digital input for reference marks and limit switches

- **Communication interface**

Depending on the version, designed as serial RS232 or CAN interface for linking to PC or control

The chosen configuration can be permanently saved.

NOTE



Communication interface

Drives with RS232 interface can also be operated independently of the communication interface, if a function or sequential program without digital command control was programmed beforehand.

NOTE



Options

As an option, the power supply for the motor and electronics can be offered with separate connections (important for safety-relevant applications). In this case the 3rd input is not required.

Special preconfiguration of modes and parameters is possible on request.

NOTE



The Motion Manager software can be downloaded free of charge from www.faulhaber.com/MotionManager.

3 Installation

3.1 Installation instructions

CAUTION!



Damage due to incorrect assembly!

Improper assembly or assembly with unsuitable fixing materials can cause damage to the drive.

- ▶ *Observe the following assembly instructions.*

Trained Personnel

This device is for use by trained personnel with knowledge of the relevant standards and regulations such as the **EMC Directive, Low Voltage Directive, Machinery Directive, VDE regulations (such as DIN VDE 0100, DIN VDE 0113/EN 0204, DIN VDE 0160/EN 50178)**, Accident Prevention Regulations may install and commission the units. This description must be carefully read and heeded prior to commissioning.

Please also note and follow the supplementary installation instructions in [section 5 "EC Product Safety Directives"](#).

Use environment

Depending on its use, the drives can get very hot. The unit should be installed in a clean, dry environment with access to ventilation. On installation, ensure that air can flow around the drive without obstruction. The rear attachment with heat sink in particular may not be covered.

The units are intended for indoor operation. Large amounts of dust and high concentrations of chemical pollutants must be avoided.

Cooling of the unit must be guaranteed, especially when installing in secondary housings or boxes. Ensure unobstructed ventilation.

Perfect functioning is only guaranteed if the supply voltage lies within the defined tolerance ranges.

WARNING!



Risk of burns!

As the unit operates with surface cooling, temperatures of up to 100 °C can occur.

- ▶ *Attach a touch guard or warning notice in the immediate vicinity of the motor.*

Shaft load

Parts may only be pressed onto the motor shaft if the maximum allowable load values are taken into account according to the respective product data sheet.

3 Installation

3.1 Installation instructions

Mounting flange

The drives may only be fixed by means of the threaded holes provided in the front flange. The maximum length of the fixing screws must be noted and observed as otherwise the motor will be destroyed. The indicated screwing depth may not be exceeded.

The maximum tightening torques are usually limited by the strength of the screw.

CAUTION!



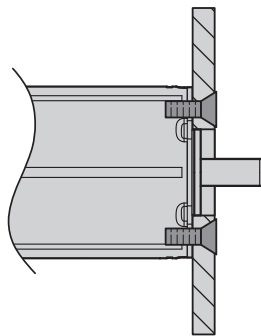
Risk of damage!

If the drives are installed on the mounting flange, the mounting flange can be damaged by high radial loads or stresses on the drives or by screws tightened with excessive torque.

- ▶ Do not load the drives at the rear end with a radial force greater than 30 N.
- ▶ Tighten the screws with maximum 50 Ncm. Note the strength of the screws and the maximum depth of engagement!

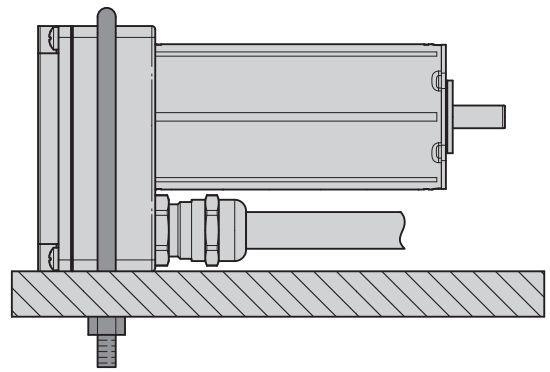
Correct

The drive is fixed by the screws on the mounting flange.



Incorrect

The drive is securely clamped to the attachment with a U-bolt.



Electrical connection

It is necessary to ensure that the connection cable is laid without risk of damage during installation and operation, e.g. through chafing, squeezing or insufficient bending radii.

CAUTION!



Risk of damage!

Large static or dynamic loads can cause damage to the round cable.

- ▶ The tensile force on the cable must not exceed 50 N. The limit for continuous tension is 25 N.
- ▶ The bending radii for one-off laying must be larger than 15 mm.
- ▶ If bending radii are <15 mm the cable may not be bent more than once.
- ▶ Suitable special types are available on request for frequent bending of the cable (e.g. dragline cable operation).
- ▶ The cable may not be bent at temperatures < -10 °C.

3 Installation

3.1 Installation instructions

Power off during assembly

The drives must be disconnected from the power supply for all types of assembly and connection work, especially when making adjustments to the interface cables.

Shock loads

The noise emitted is increased and the life of the ball bearings and therefore of the motor becomes limited if they are exposed to impacts.

- The motor can still function if it is not exposed to higher shock loads than defined according to EN 60068-2-27.
- The motor may not be exposed to higher vibratory stresses than defined according to EN 60068-2-6.

NOTE



Service life

The full life is reached if the drives are not exposed to shock or vibration loads.

3.2 EMC compatible installation

CAUTION!



Length of the connection leads!

The maximum length of the connection leads is limited.

- ▶ *None of the connection leads, with the exception of the power supply, may exceed a length of 3 m.*

Optimisation of performance with respect to emission and immunity requires the additional EMC measures:

- Ensuring allowable emissions or necessary immunity in the industrial sector may require the use of an EMC filter and/or a shield or an EMC suppressor circuit.

3 Installation

3.3 Connections

The drives are equipped with an eight-core connection cable (AWG 24).

CAUTION!



Electronic damage/ESD protection!

Electrostatic discharges at the Motion Control system's connections can cause irreparable damage to the electronics.

- ▶ *Note and follow the ESD protective measures.*
- Incorrect connection of the cores can cause damage to or destruction of the electronics.*
- ▶ *Connect the connections in accordance with the connector pin assignment, see table.*

Please also note and follow the supplementary installation instructions in [section 5 "EC Product Safety Directives"](#).

32xx...BX4 CS und 3564...B CS

The connections are executed as coloured stranded wires and assigned as follows:

Wire colour	Designation	Meaning
blue	GND	GND
pink	U _B	Supply voltage
brown	AnIn	Analog input
white	Fault	Error output
grey	AGND	Analog GND
yellow	RxD	RS232 RxD
green	TxD	RS232 TxD
red	3.In	3rd input optional electronic supply U _B

32xx...BX4 CC/CO und 3564...B CC/CO

The connections are executed as coloured stranded wires and assigned as follows:

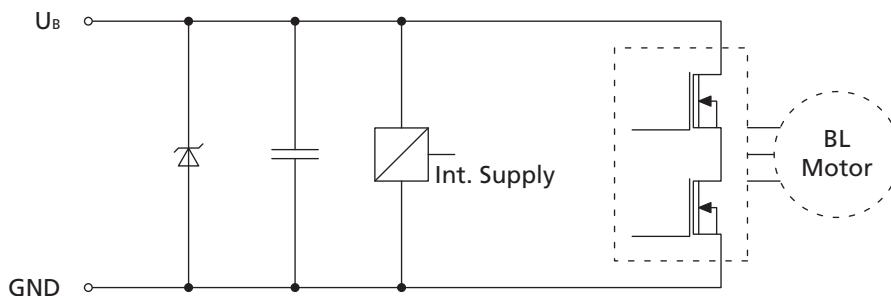
Wire colour	Designation	Meaning
blue	GND	GND
pink	U _B	Supply voltage
brown	AnIn	Analog input
white	Fault	Error output
grey	AGND	Analog GND
yellow	CAN_L	CAN Low
green	CAN_H	CAN High
red	3.In	3rd input optional electronic supply U _B

3 Installation

3.3 Connections

3.3.1 Power supply

Supply connection



Wire colour	Designation	Meaning
blue	GND	GND
pink	U _B	Supply voltage of the motor 24 V

CAUTION!

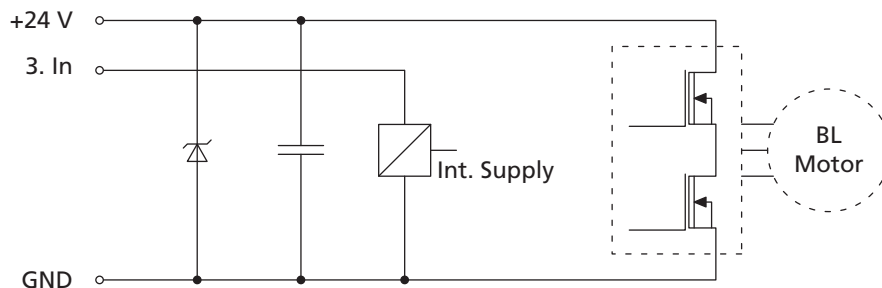


Power supply connections (+24 V, GND)

Device malfunction can occur if the power supply is incorrectly dimensioned or connected. An internal fuse will protect the device from incorrect power polarity connection but must be replaced by the manufacturer after it has been triggered.

- ▶ The power supply must be adequately dimensioned for the connected motor.
- ▶ Be sure to connect motor supply terminals with the correct polarity.

3.3.2 Separated electronic supply (Option 2993 or 3085)



FAULHABER Motion Controllers can be delivered optionally with a separate electronic supply. This enables the motor supply to be switched off in case of a fault, e.g. by a safety relay, while the supply to the controller is maintained. After correcting the fault is not necessary to perform new reference (homing) run, as the supply to the motor's sensors is maintained. In this case the separate supply for the internal electronics is provided via contact 3rd In. The 3rd input is then omitted for this option.

HINWEIS



Service life

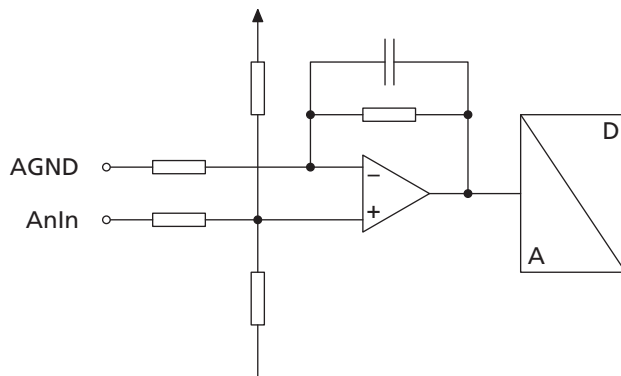
Motion Controllers with separate electronics supply must at least be connected to the supply via 3rd In and GND for the startup, otherwise communication cannot be established!

3 Installation

3.3 Connections

3.3.3 Analog input

Internal protective circuit, analog input



Wire colour	Designation	Meaning
brown	AnIn	Analog input
grey	AGND	Analog GND

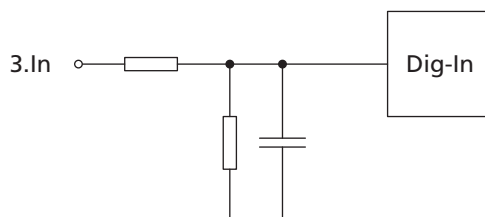
The analog input is executed as a differential input. The analog GND should be connected to the power supply GND. This prevents the voltage drop in the supply cable from affecting the target velocity value.

The analog input has various uses, depending on the option and configuration: (see communication manual)

- Presetting of target velocity value via analog voltage
- Presetting of target velocity value via PWM signal
- Current limitation value via analog voltage
- Presetting of target position via analog voltage
- Digital input for reference and limit switches
- Connection for an external encoder (analog input to GND: Channel A/Analog GND to GND: Channel B) in gearing or BL encoder mode.

3.3.4 Digital input

Internal protective circuit, 3rd input



Wire colour	Designation	Meaning
red	3.In	3rd input optional electronic supply U_e

This connection can be used as reference or digital input. As an option, the drives can be modified by the manufacturer to serve as a separate connection for the supply voltage to the electronics allowing the motor to be disabled independently of the electronics.

3 Installation

3.3 Connections

3.3.5 Fault output

CAUTION!



Electronic damage!

The fault output is configured as an output in the factory. Before connecting as an input, the fault pin must have been configured accordingly. The configuration must be saved (see communication and function manual/commissioning chapter).

The electronics can be damaged if a voltage is applied to the fault output while it is not configured as the input.

- ▶ Check the fault output setting before applying a voltage.

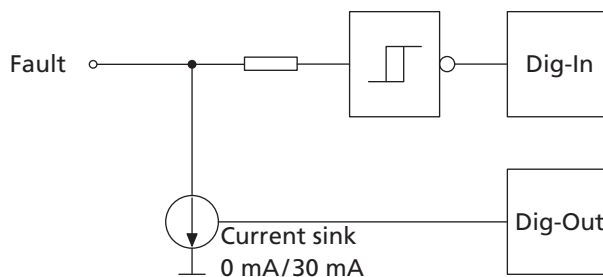
The voltage applied to the fault output must never exceed the voltage supply of the Motion Controller. The supply voltages of the sensors must not exceed the supply voltage of the Motion Controller (e.g. in case of separate supply systems 24 V/12 V).

- ▶ Match the supply voltages of the sensors and the Motion Controller to each other.

The supply voltage of the sensors must never be switched on while the supply voltage of the Motion Controller is switched off.

- ▶ Ensure that the supply voltage of the sensors cannot be switched on independently of the supply voltage of the Motion Controller.

Internal protection circuit Fault (Dig I/O)



Wire colour	Designation	Meaning
white	Fault	Error output

The error output is characterised by the following characteristics:

- Circuit that switches to GND (Open Collector)
- Output resistance in open state (High Level): 100 k Ω
- The circuit is open in the event of error (High Level)
- Output current limited to approx. 30 mA, voltage in open state must not exceed the supply voltage (maximum U_B)
- Short-circuit proof

Depending on the option, the Fault error output connection can also be configured for other functions:

- Pulse output
- Digital output (freely programmable)
- Homing or digital input
- Rotational direction input

NOTE



Note

If the error output is used as an input, we recommended connecting an external resistor (1 k Ω /0.25 watt) in series.

3 Installation

3.3 Connections

3.3.6 Interfaces

RS232

The RS232 wiring is established via the connections RxD, TxD and the supply GND. The installed RS232 interface allows direct connection with a higher level control.

Wire colour	Designation	Meaning
blue	GND	GND
yellow	RxD	RS232 RxD
green	TxD	RS232 TxD

CAN

The CAN wiring is established using the CAN_H and CAN_L connections and the supply GND.

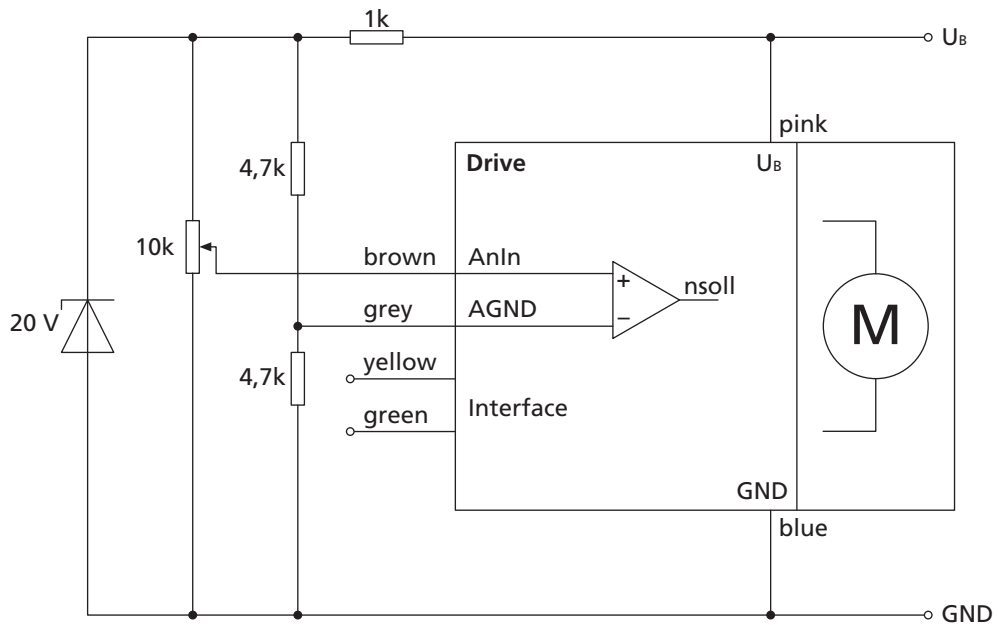
Wire colour	Designation	Meaning
blue	GND	GND
yellow	CAN_L	CAN Low
green	CAN_H	CAN High

3 Installation

3.4 Connection examples

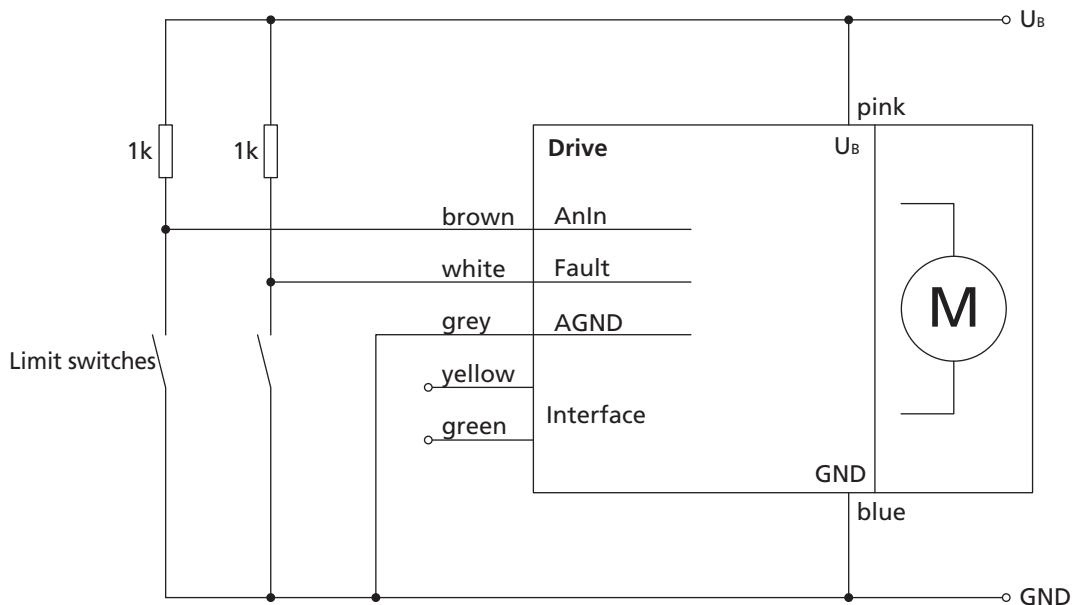
3.4.1 Command source via potentiometer

Bipolar analog command source via potentiometer



3.4.2 Homing and limit switches

Connection of homing and limit switches

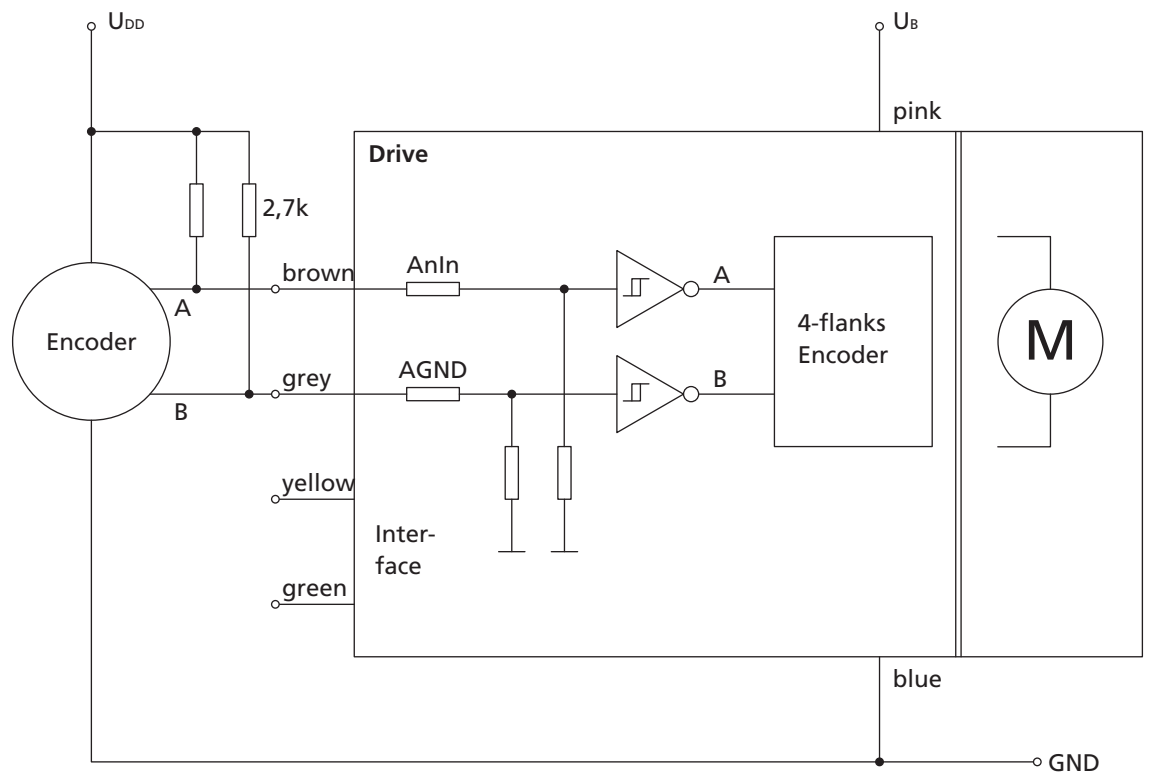


3 Installation

3.4 Connection examples

3.4.3 External incremental encoder

Connection of an external encoder



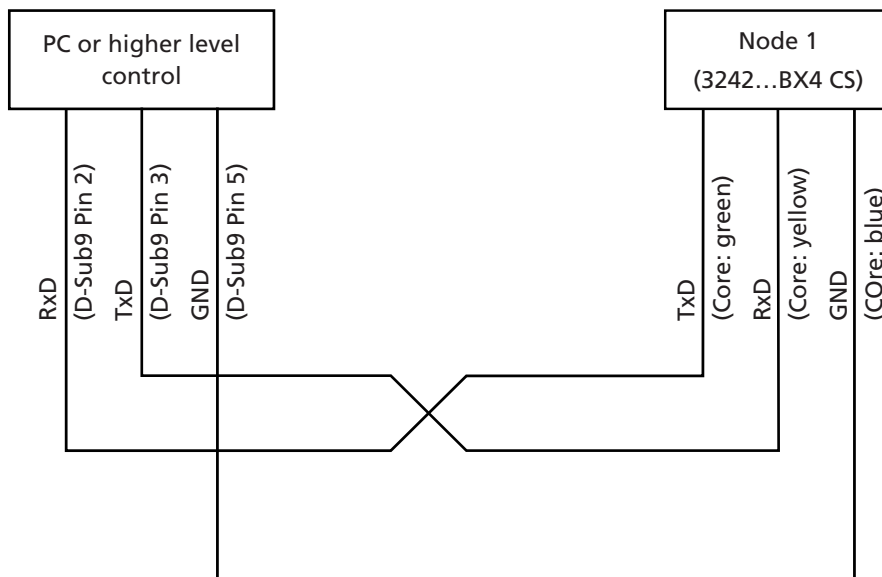
3 Installation

3.5 Communication connection

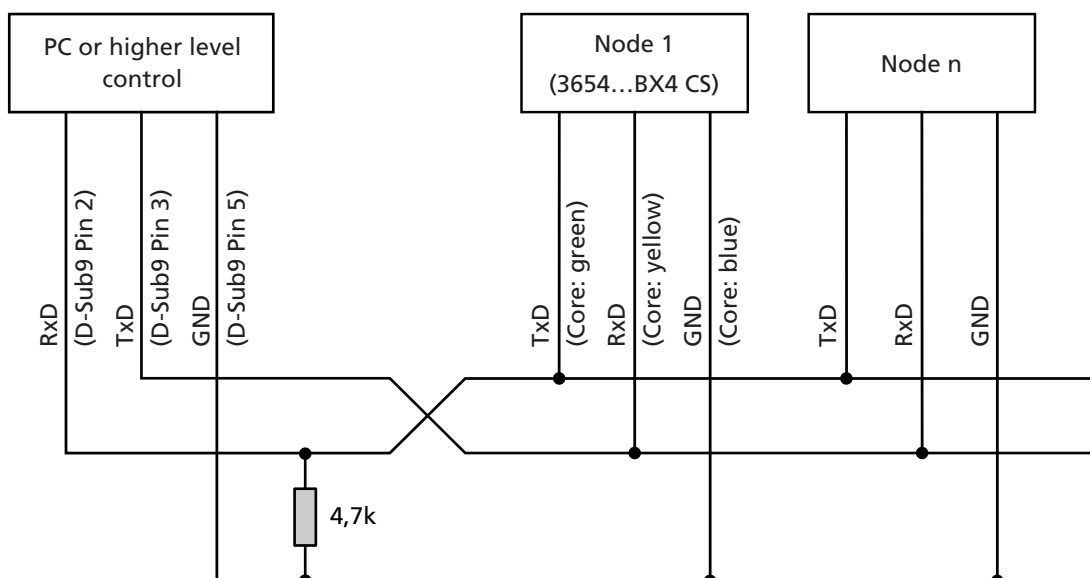
3.5.1 RS232 connection

The drives can be directly connected to a PC or a higher level control using transposed transmission and reception cables. This corresponds to implementation with a null modem cable.

Wiring between PC/control and a drive



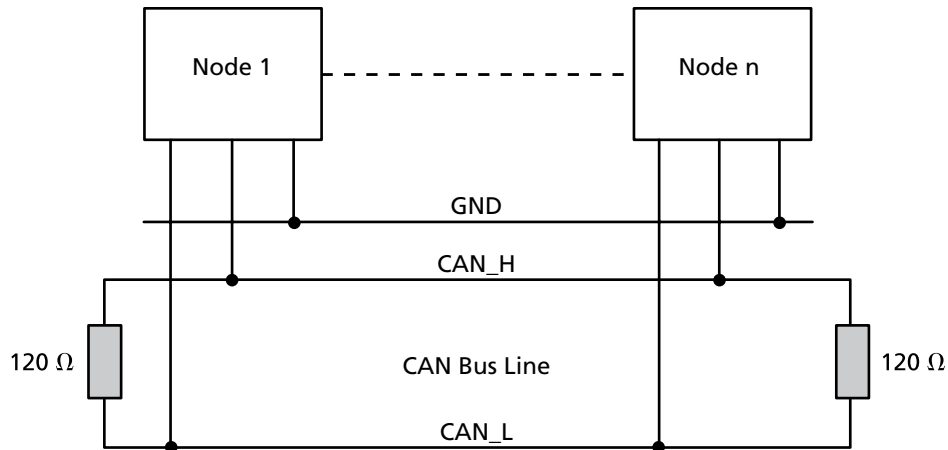
Wiring with several Motion Control systems in RS232 network mode



3 Installation

3.5 Communication connection

3.5.2 CAN connection



CAN is a bus system, to which all nodes are connected in parallel. A terminal resistance of 120 Ω must be connected to each end of the bus line.

In addition to the two signal lines CAN_H and CAN_L, the nodes must also be connected to each other by a common GND line.

The maximum line length is limited by the transfer rate and the signal propagation times:

Baud rate	Max. line length (incl. stub)
1 000 kBit/s	25 m
500 kBit/s	100 m
250 kBit/s	250 m
125 kBit/s	500 m
50 kBit/s	1 000 m
20 kBit/s	2 500 m
10 kBit/s	5 000 m

3 Installation

3.6 Baud rate and node number / node ID

NOTE



The baud rate and node number necessary for the communication link are set via the Motion Manager or as a direct command input. Please read the relevant function and communication manual and the Motion Manager's instruction manual.

4 Operation

4.1 Device start up

To start up a drive, please read the communication and function manual.

Before starting up a drive the following points must be checked:

- The drive has been installed according to the specifications.
- The connection cables on the supply side are connected according to the requirements (risk of polarity reversal!) and are laid so that they cannot be damaged during operation. The maximum load values must be noted and observed. (See [section 3 "Installation"](#)).
- Terminals and connectors are protected against ESD.
- The power supply unit is designed according to the requirements.

CAUTION!



Power supply!

Due to the PWM of the power output stage the motor current is always larger or equal to the current that can be measured at the supply connection U_{mot} . The current information (continuous/peak current) in the data sheets and the adjustable parameters of the I^2t current limiting refer to the motor current and not to the supply current of the Motion Controller!

CAUTION!



Risk of injuries!

A risk of injuries can result from protruding rotating or moving parts of the driven mechanism.

- ▶ Cover rotating and moving parts with appropriate devices.

CAUTION!



Risk of injuries!

Depending on the load and ambient temperature, very high temperatures can occur on the surface of the unit.

- ▶ Contact protection (guards) must be provided if necessary.

5 EC Product Safety Directives

REGULATION! The following EC Product Safety Directives are important for users of the described products:



Machinery Directive (2006/42/EC):

Due to their small size, small standard electrical drives cannot cause any noteworthy risk of injuries to people.

Therefore, the Machinery Directive does not apply to our products.

The products described here are not “part machines” or “incomplete machines”.

Therefore, Faulhaber does not provide a standard Declaration of Incorporation.

Low-Voltage Directive (2006/95/EC):

It applies to all electrical equipment with a nominal voltage from 75 to 1 500 V DC, or from 50 to 1 000 V AC. The products described in this instruction manual do not fall within the scope of this Directive as they are designed for smaller voltages.

EMC Directive (2014/30/EU):

The Electromagnetic Compatibility (EMC) Directive applies to all electronic and electrical equipment, plant and systems sold to end users (consumers). In addition, CE marking can be undertaken for built-in components according to the EMC Directive. Compliance is documented by the Declaration of Conformity.

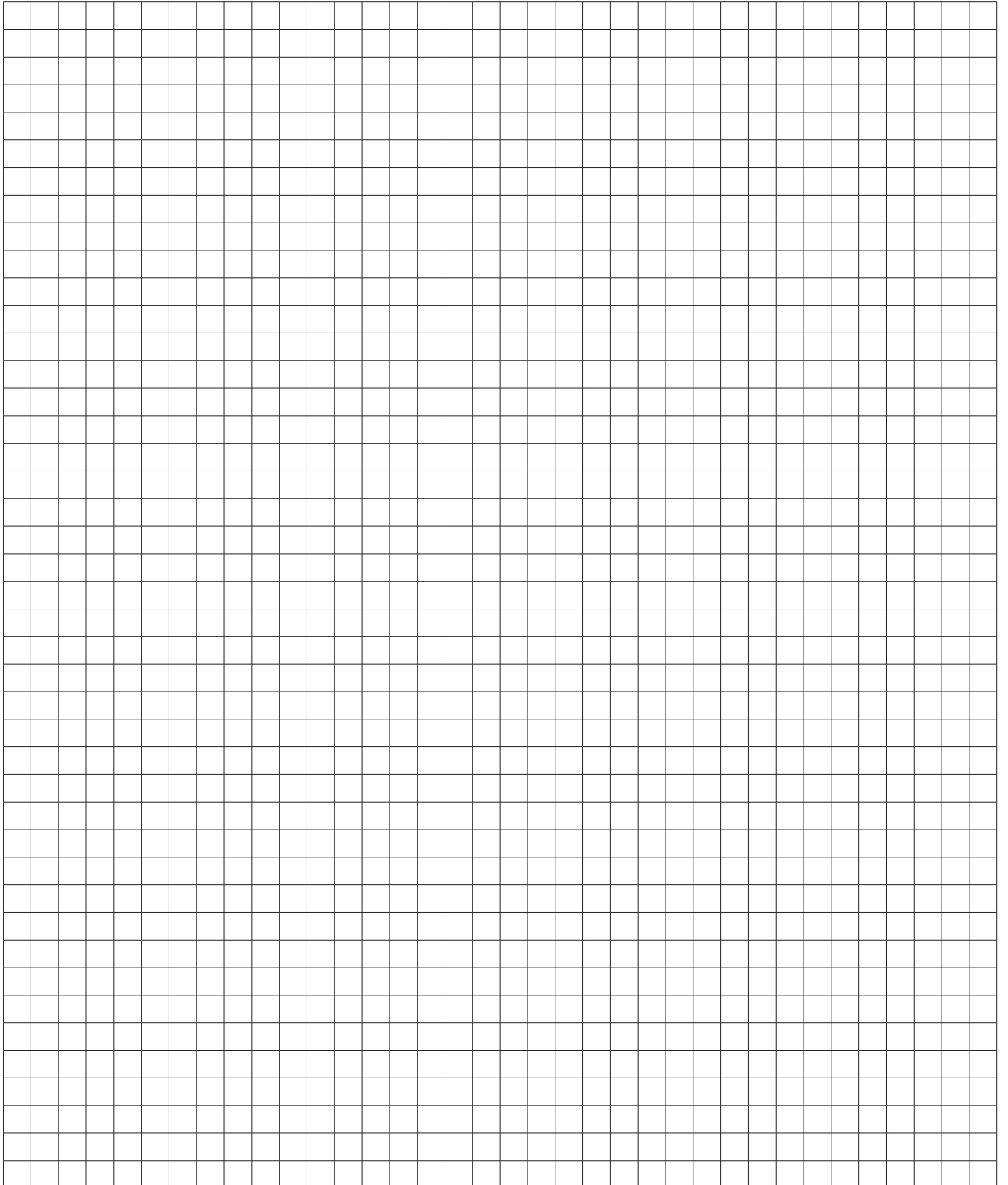
6 Warranty

Note

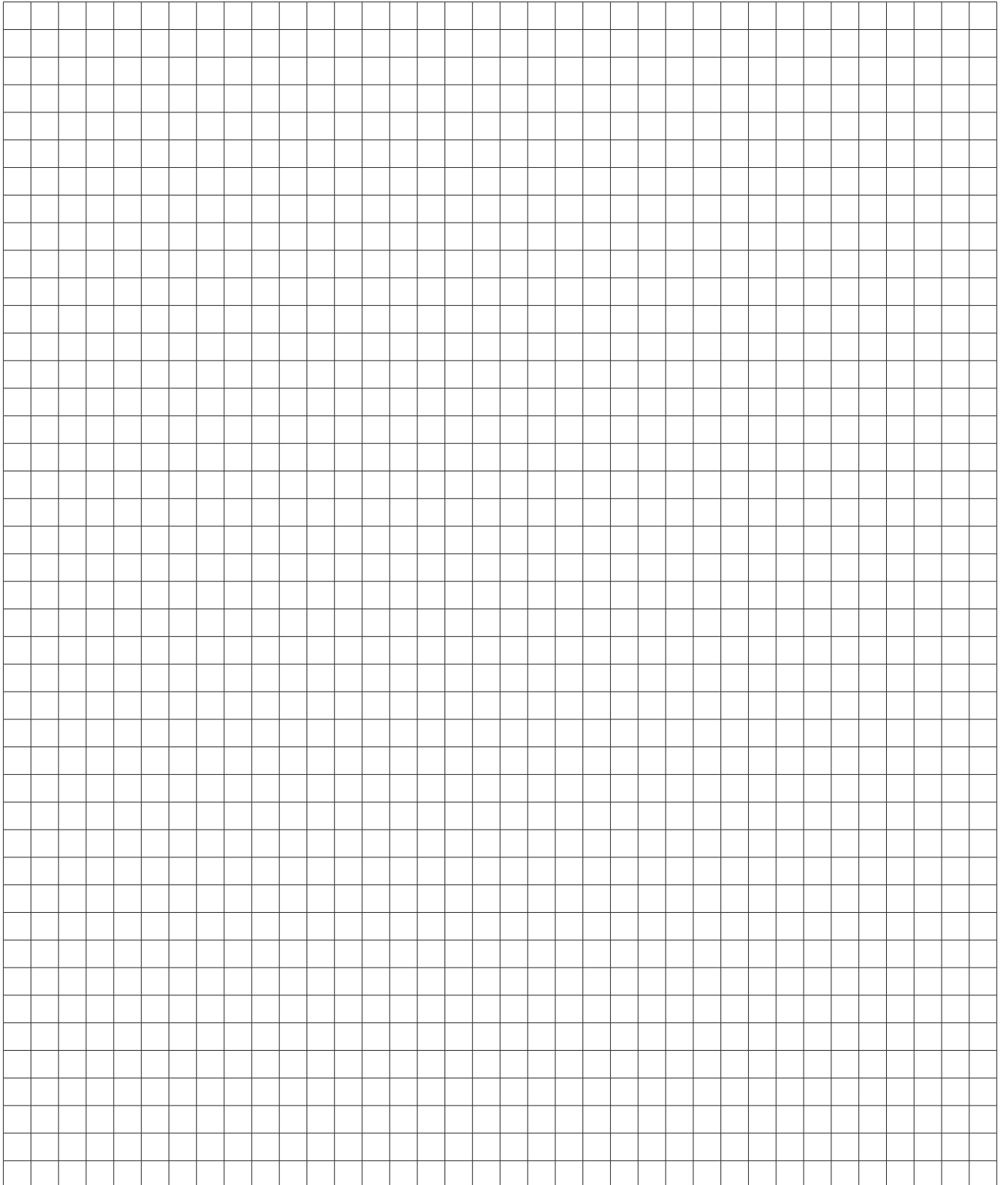
Dr. Fritz Faulhaber GmbH & Co. KG products are produced to state of the art production methods and are subject to strict quality control.

All sales and deliveries made exclusively on the basis of our general Terms and Conditions of Business. These are available to view and download on the FAULHABER homepage at www.faulhaber.com/agb.

Notes



Notes



Notes

