

Planetary Gearheads

3,5 Nm

For combination with
DC-Micromotors
Brushless DC-Motors
Stepper Motors

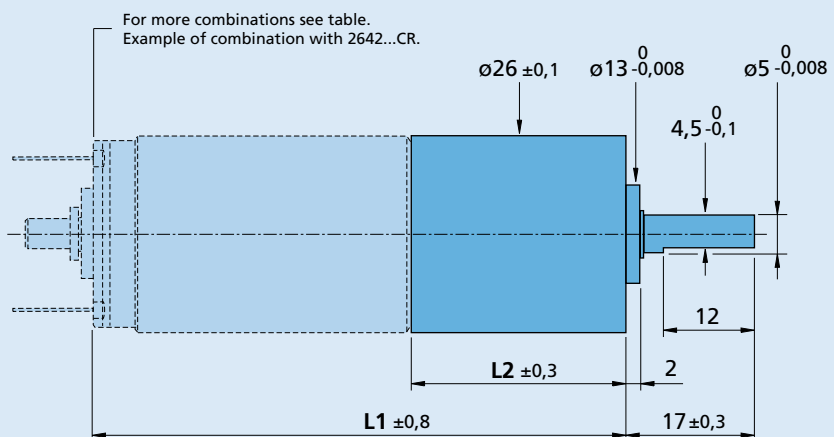
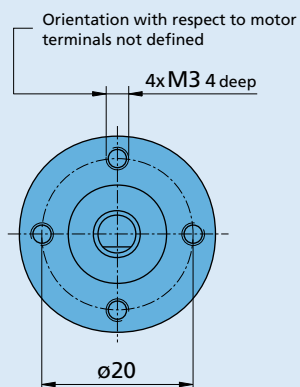
Series 26/1

	26/1
Housing material	steel
Geartrain material ¹⁾	plastic/steel
Recommended max. input speed for:	
– continuous operation	4 000 min ⁻¹
Backlash, at no-load	≤ 1 °
Bearings on output shaft	ball bearings, preloaded
Shaft load, max.:	
– radial (10 mm from mounting face)	≤ 150 N
– axial	≤ 100 N
Shaft press fit force, max.	≤ 150 N
Shaft play	
– radial (10 mm from mounting face)	≤ 0,03 mm
– axial	≤ 0,1 mm
Operating temperature range	- 30 ... + 100 °C

Technical data		1	2	3	3	4	4	5
Number of gear stages								
Continuous torque	Nm	1,1	0,3	1	1,5	2,5	3,5	3,5
Intermittent torque	Nm	2,3	0,4	1,2	1,8	3,5	4,5	4,5
Mass without motor, ca.	g	93	116	139	139	162	162	185
Efficiency, max.	%	88	80	70	70	60	60	55
Direction of rotation, drive to output		=	=	=	=	=	=	=
Reduction ratio ²⁾ (rounded)		3,71:1	14:1	43:1	66:1	134:1	159:1 246:1	415:1 592:1 989:1 1 526:1
L2 [mm] = length without motor		28,4	36,4	44,4	44,4	52,4	52,4	60,5
L1 [mm] = length with motor		70,4	78,4	86,4	86,4	94,4	94,4	102,5
	2342S...CR	70,4	78,4	86,4	86,4	94,4	94,4	102,5
	2642W...CR/CXR	70,4	78,4	86,4	86,4	94,4	94,4	102,5
	2657W...CR/CXR	85,4	93,4	101,4	101,4	109,4	109,4	117,5
	2668W...CR	96,4	104,4	112,4	112,4	120,4	120,4	128,5
	2444S...B	72,4	80,4	88,4	88,4	96,4	96,4	104,5
	AM2224R3...30	59,3	67,3	75,3	75,3	83,3	83,3	91,4

¹⁾ Gearheads with ratios < 14:1 have all steel gears.

²⁾ The reduction ratios are rounded, the exact values are available on request or at www.faulhaber.com.



26/1