

Planetary Gearheads

1 Nm

For combination with
DC-Micromotors
Brushless DC-Motors

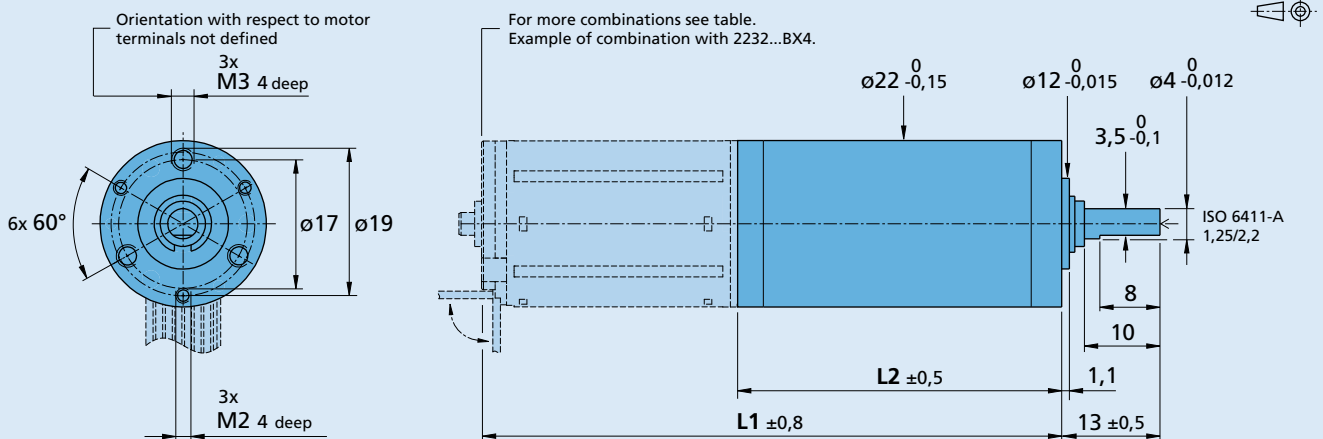
Series 22F

	22F
Housing material	steel
Geartrain material	metal
Recommended max. input speed for:	
– continuous operation	6 000 min ⁻¹
Backlash, at no-load	≤ 3,5 °
Bearings on output shaft	ball bearings
Shaft load, max.:	
– radial (10 mm from mounting face)	≤ 70 N
– axial	≤ 100 N
Shaft press fit force, max.	≤ 100 N
Shaft play	
– radial (10 mm from mounting face)	≤ 0,06 mm
– axial	≤ 0,2 mm
Operating temperature range	- 30 ... + 100 °C

Technical data

	1	2	3	4
Number of gear stages				
Continuous torque	mNm 400	600	900	1 000
Intermittent torque	mNm 600	900	1 350	1 500
Mass without motor, ca.	g 41	57	75	90
Efficiency, max.	% 80	75	70	60
Direction of rotation, drive to output	=	=	=	=
Reduction ratio ¹⁾ (rounded)	4:1	14:1 16:1 19:1 25:1	51:1 59:1 68:1 71:1 93:1 100:1 107:1 130:1 169:1	189:1 218:1 252:1 264:1 292:1 305:1 344:1
L2 [mm] = length without motor	26,6	34,8	42,9	51,1
L1 [mm] = length with motor	2224U...SR 50,8	2232U...SR 59,0	2237S...CXR 67,1	2342S...CR 75,3
	2237S...CXR 63,6	2342S...CR 71,8	2214S...BXTH 79,9	2214S...BXTR 88,1
	2232S...BX4 68,6	2232S...BX4 76,8	2232S...BX4 84,9	2232S...BX4 93,1
	2232S...BX4 41,4	2232S...BX4 49,6	2232S...BX4 57,7	2232S...BX4 65,9
	2232S...BX4 40,6	2232S...BX4 48,8	2232S...BX4 56,9	2232S...BX4 65,1
	2232S...BX4 60,4	2232S...BX4 68,6	2232S...BX4 76,7	2232S...BX4 84,9
	2250S...BX4(S) 78,4	2250S...BX4(S) 86,6	2250S...BX4(S) 94,7	2250S...BX4(S) 102,9

¹⁾ The reduction ratios are rounded, the exact values are available on request or at www.faulhaber.com.



22F