

Planetary Gearheads

0,7 Nm

For combination with
DC-Micromotors
Brushless DC-Motors
Stepper Motors

Series 22/7

	22/7
Housing material	metal
Geartrain material	steel
Recommended max. input speed for:	
– continuous operation	4 000 min ⁻¹
Backlash, at no-load	≤ 1 °
Bearings on output shaft	ball bearings, preloaded
Shaft load, max.:	
– radial (10 mm from mounting face)	≤ 170 N
– axial	≤ 150 N
Shaft press fit force, max.	≤ 150 N
Shaft play	
– radial (10 mm from mounting face)	≤ 0,03 mm
– axial	≤ 0,1 mm
Operating temperature range	- 30 ... + 100 °C

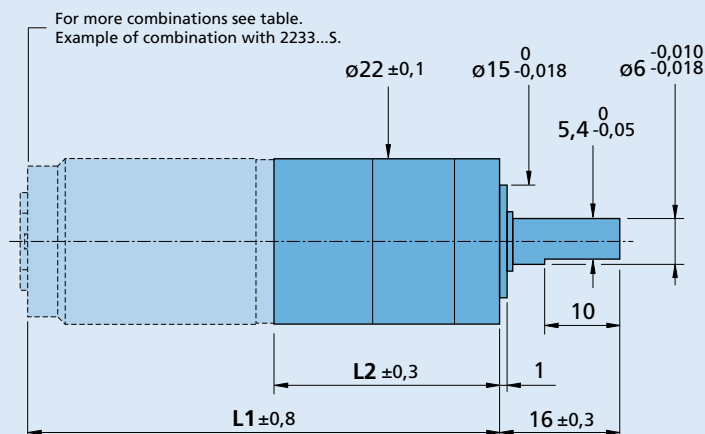
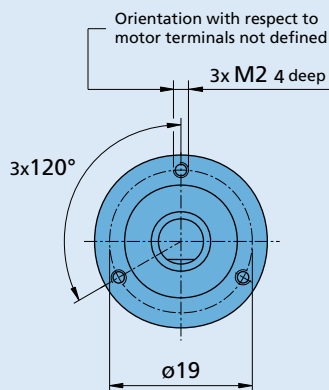
Technical data

	1	2	3	4	5
Number of gear stages					
Continuous torque	mNm 200	300	700	700	700
Intermittent torque	mNm 400	600	1 000	1 000	1 000
Mass without motor, ca.	g 68	63	76	88	102
Efficiency, max.	% 88	80	70	60	55
Direction of rotation, drive to output	=	=	=	=	=
Reduction ratio ¹⁾ (rounded)	3,71:1	9,7:1 14:1	43:1 66:1	94:1 112:1 134:1 159:1 190:1 246:1	415:1 592:1 989:1 1 526:1
L2 [mm] = length without motor ²⁾	27,9	34,1	40,3	46,4	52,6
L1 [mm] = length with motor	2224U...SR 48,2	2230U...S 54,4	2232U...SR 60,6	2233U...S 66,7	2237S...CXR 72,9
	2342S...CR 56,2	2232U...SR 62,4	2233U...S 68,6	2237S...CXR 74,7	2237S...CXR 80,9
	2233U...S 56,6	2237S...CXR 62,8	2237S...CXR 69,0	2237S...CXR 75,1	2237S...CXR 81,3
	2237S...CXR 64,9	2237S...CXR 71,1	2237S...CXR 77,3	2237S...CXR 83,4	2237S...CXR 89,6
	2237S...CXR 69,9	2237S...CXR 76,1	2237S...CXR 82,3	2237S...CXR 88,4	2237S...CXR 94,6
	2232S...BX4 61,7	2232S...BX4 67,9	2232S...BX4 74,1	2232S...BX4 80,2	2232S...BX4 86,4
	2250S...BX4(S) 79,7	2250S...BX4(S) 85,9	2250S...BX4(S) 92,1	2250S...BX4(S) 98,2	2250S...BX4(S) 104,4
	2444S...B 71,9	2444S...B 78,1	2444S...B 84,3	2444S...B 90,4	2444S...B 96,6
	AM2224...10 51,7	AM2224...10 57,9	AM2224...10 64,1	AM2224...10 70,2	AM2224...10 76,4

¹⁾ The reduction ratios are rounded, the exact values are available on request or at www.faulhaber.com.

²⁾ L2 - 3,9 mm, in combination with 2224U...SR, 2230U...S, 2232U...SR, 2233U...S and AM2224.

Note: Reduction ratio 3,71:1 with motor types 2224U...SR, 2230U...S, 2232U...SR, 2233U...S and AM2224 shall be ordered as 22/7 3,71:1 - K288.



22/7