

Spur Gearheads

0,1 Nm

For combination with
DC-Micromotors
Stepper Motors

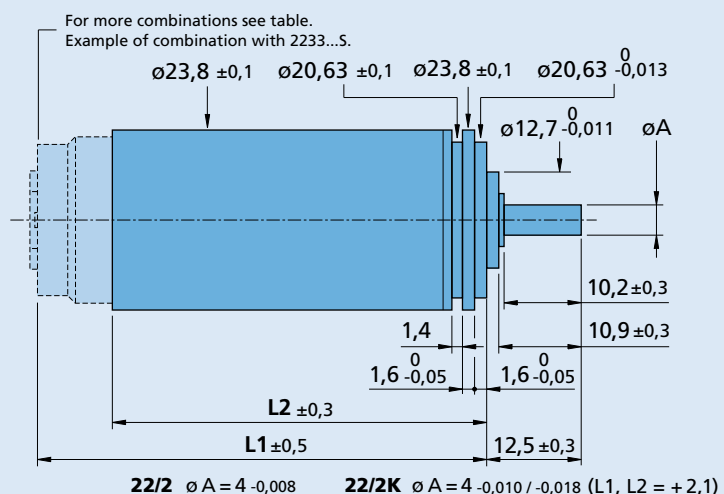
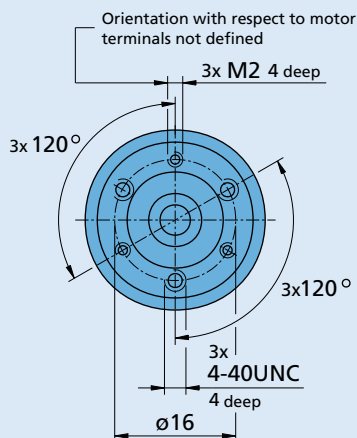
Series 22/2

	22/2	22/2K
Housing material	metal	metal
Geartrain material	metal	metal
Recommended max. input speed for:		
– continuous operation	4 000 min ⁻¹	4 000 min ⁻¹
Backlash, at no-load	≤ 3 °	≤ 3 °
Bearings on output shaft	sintered bearings	ball bearings, preloaded
Shaft load, max.:		
– radial (6 mm from mounting face)	≤ 3 N	≤ 100 N
– axial	≤ 5 N	≤ 5 N
Shaft press fit force, max.	≤ 50 N	≤ 5 N
Shaft play		
– radial (6 mm from mounting face)	≤ 0,05 mm	≤ 0,03 mm
– axial	≤ 0,2 mm	= 0 mm
Operating temperature range	- 30 ... + 100 °C	- 30 ... + 100 °C

Technical data

	2	3	4	5	6	7	8	9	10
Number of gear stages									
Continuous torque	mNm 100	100	100	100	100	100	100	100	100
Intermittent torque	mNm 400	400	400	400	400	400	400	400	400
Mass without motor, ca.	g 58	68	72	77	82	88	93	98	103
Efficiency, max.	% 90	86	81	73	66	59	53	48	43
Direction of rotation, drive to output	=	≠	=	≠	=	≠	=	≠	=
Reduction ratio ¹⁾ (rounded)	3,1:1 5,4:1	9,7:1	17,2:1 30,7:1	54,6:1 97,3:1	173:1 308:1	548:1 975:1	1 734:1 3 088:1	5 490:1 9 780:1	17 386:1 30 969:1
L2 [mm] = length without motor	40,8	46,6	49,5	52,4	55,3	58,2	61,1	64,0	66,9
L1 [mm] = length with motor	2224R...SR 45,4	2230F/R...S 50,7	2232R...SR 53,6	2233F/R...S 56,5	2233R...SR 59,4	2233F/R...S 62,3	2233R...SR 65,2	2233F/R...S 68,1	2233R...SR 71,0
	2230F/R...S 51,2	2232R...SR 56,5	2233F/R...S 59,4	2233R...SR 62,3	2233F/R...S 65,2	2233R...SR 68,1	2233F/R...S 71,0	2233R...SR 73,9	2233F/R...S 76,8
	2232R...SR 53,4	2233F/R...S 58,7	2233R...SR 61,6	2233F/R...S 64,5	2233R...SR 67,4	2233F/R...S 70,3	2233R...SR 73,2	2233F/R...S 76,1	2233R...SR 79,0
	2233F/R...S 53,8	2233R...SR 59,1	2233F/R...S 62,0	2233R...SR 64,9	2233F/R...S 67,8	2233R...SR 70,7	2233F/R...S 73,6	2233R...SR 76,5	2233F/R...S 79,4
	AM2224...14 48,9	2233R...SR 54,2	2233F/R...S 57,1	2233R...SR 60,0	2233F/R...S 62,9	2233R...SR 65,8	2233F/R...S 68,7	2233R...SR 71,6	2233F/R...S 74,5

¹⁾ The reduction ratios are rounded, the exact values are available on request or at www.faulhaber.com.



Spur Gearheads

0,1 Nm

For combination with
DC-Micromotors
Stepper Motors

Series 22/2

	22/2	22/2K
Housing material	metal	metal
Geartrain material	metal	metal
Recommended max. input speed for:		
– continuous operation	4 000 min ⁻¹	4 000 min ⁻¹
Backlash, at no-load	≤ 3 °	≤ 3 °
Bearings on output shaft	sintered bearings	ball bearings, preloaded
Shaft load, max.:		
– radial (6 mm from mounting face)	≤ 3 N	≤ 100 N
– axial	≤ 5 N	≤ 5 N
Shaft press fit force, max.	≤ 50 N	≤ 5 N
Shaft play		
– radial (6 mm from mounting face)	≤ 0,05 mm	≤ 0,03 mm
– axial	≤ 0,2 mm	= 0 mm
Operating temperature range	- 30 ... + 100 °C	- 30 ... + 100 °C

Technical data

	11	12	13
Number of gear stages			
Continuous torque	mNm 100	100	100
Intermittent torque	mNm 400	400	400
Mass without motor, ca.	g 108	113	118
Efficiency, max.	% 39	35	31
Direction of rotation, drive to output	≠	=	≠
Reduction ratio ¹⁾ (rounded)	55 057:1 98 070:1	174 350:1 310 560:1	552 113:1 983 447:1
L2 [mm] = length without motor	69,8	72,7	75,6
L1 [mm] = length with motor	2224R...SR 73,9	2230F/R...S 76,8	2232R...SR 79,7
	2230F/R...S 79,7	2232R...SR 82,6	2233F/R...S 85,5
	2232R...SR 81,9	2233F/R...S 84,8	AM2224...14 87,7
	2233F/R...S 82,3		
	AM2224...14 77,4		

¹⁾ The reduction ratios are rounded, the exact values are available on request or at www.faulhaber.com.

