

Planetary Gearheads

0,25 Nm

For combination with
DC-Micromotors
Stepper Motors

Series 15A

	15A	15AC	15AK
Housing material	plastic	plastic	plastic
Geartrain material	plastic	plastic	plastic
Recommended max. input speed for:			
– continuous operation	5 000 min ⁻¹	5 000 min ⁻¹	5 000 min ⁻¹
Backlash, at no-load	≤ 4°	≤ 4°	≤ 4°
Bearings on output shaft	sintered bearings	ceramic bearings	ball bearings
Shaft load, max.:			
– radial (5 mm from mounting face)	≤ 3 N	≤ 10 N	≤ 15 N
– axial	≤ 1 N	≤ 2 N	≤ 5 N
Shaft press fit force, max.	≤ 10 N	≤ 10 N	≤ 10 N
Shaft play			
– radial (5 mm from mounting face)	≤ 0,06 mm	≤ 0,08 mm	≤ 0,09 mm
– axial	≤ 0,25 mm	≤ 0,25 mm	≤ 0,25 mm
Operating temperature range	- 30 ... + 65 °C	- 20 ... + 85 °C	- 30 ... + 85 °C

Technical data

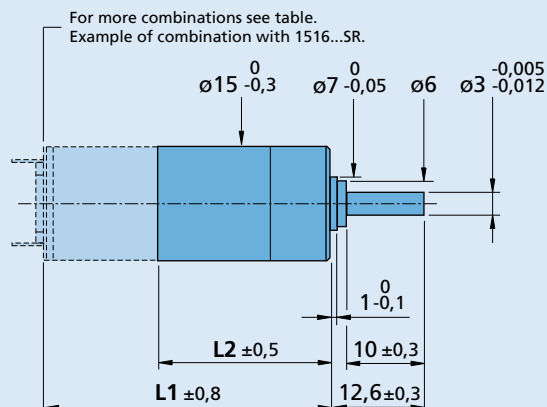
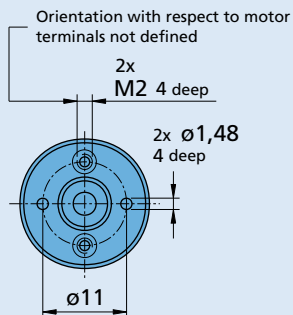
		1	2	3	3	4	5	5	6
Number of gear stages									
Continuous torque	mNm	50	100	100	150	200	200	250	250
Intermittent torque	mNm	100	200	200	300	400	400	400	400
Mass without motor, ca.	g	4	5	5	5	6	6	6	7
Efficiency, max.	%	87	78	68	67	62	55	52	49
Direction of rotation, drive to output		=	=	=	=	=	=	=	=
Reduction ratio ¹⁾ (rounded)	Code B ²⁾		14:1 19:1	52:1 69:1		249:1	896:1		3 225:1
	Code A ²⁾	5,33:1	28:1	102:1	152:1	369:1 546:1 809:1	1 327:1 1 966:1	2 913:1 4 315:1	4 778:1 7 078:1 10 486:1 15 534:1 23 014:1
L2 [mm] = length without motor ³⁾		14,1	17,7	21,3	21,3	24,9	28,5	28,5	32,1
L1 [mm] = length with motor	1516A/B...SR	29,9	33,5	37,1	37,1	40,7	44,3	44,3	47,9
	1524A/B...SR	37,9	41,5	45,1	45,1	48,7	52,3	52,3	55,9
	1624A/B...S	37,9	41,5	45,1	45,1	48,7	52,3	52,3	55,9
	1717A/B...SR	31,1	34,7	38,3	38,3	41,9	45,5	45,5	49,1
	1724A/B...SR	38,1	41,7	45,3	45,3	48,9	52,5	52,5	56,1
	AM1524...70	30,5	34,1	37,7	37,7	41,3	44,9	44,9	48,5

¹⁾ The reduction ratios are rounded, the exact values are available on request or at www.faulhaber.com.

²⁾ Example of ordering information: 1516 B 012 SR + 15A 19:1, not for AM1524.

³⁾ L2 + 0,7 mm, in combination with 1516A/B...SR and 1524A/B...SR.

Note: These gearheads are available only with motors mounted.



15A, 15AC, 15AK