

Spur Gearheads

Zero Backlash

0,03 Nm

For combination with
DC-Micromotors
Brushless DC-Motors
Stepper Motors

Series 12/5

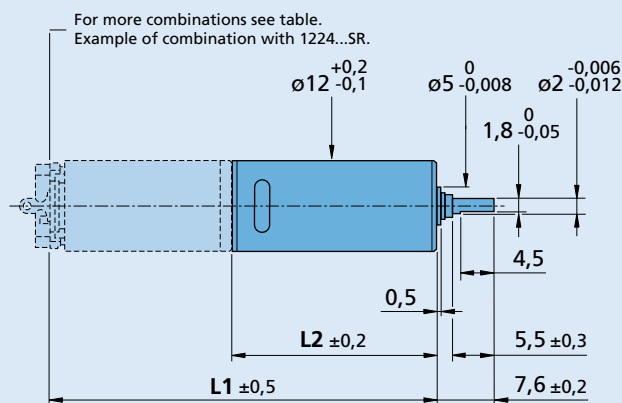
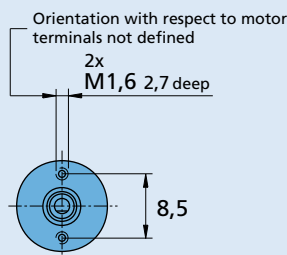
	12/5
Housing material	metal
Geartrain material	metal
Recommended max. input speed for:	
– continuous operation	5 000 min ⁻¹
Backlash, at no-load	0 °
Bearings on output shaft	ball bearings, preloaded
Shaft load, max.:	
– radial (4,5 mm from mounting face)	≤ 5 N
– axial	≤ 5 N
Shaft press fit force, max.	≤ 10 N
Shaft play	
– radial (4,5 mm from mounting face)	≤ 0,04 mm
– axial	= 0 mm
Operating temperature range	- 30 ... + 100 °C

Technical data

	5	6	7	8	9
Number of gear stages	5	6	7	8	9
Continuous torque	mNm 30	30	30	30	30
Intermittent torque	mNm 100	100	100	100	100
Mass without motor, ca.	g 11	12	13	14	15
Efficiency, max.	-	-	-	-	-
Direction of rotation, drive to output	≠	=	≠	=	≠
Reduction ratio ¹⁾ (rounded)	69,2:1	161:1	377:1	879:1	2 050:1
L2 [mm] = length without motor	18,7	20,8	22,9	25,0	27,1
L1 [mm] = length with motor	1016E...SR 34,6	36,7	38,8	40,9	43,0
	1024E...SR 42,6	44,7	46,8	48,9	51,0
	1224E...SR 42,9	45,0	47,1	49,2	51,3
	1028E...B 46,8	48,9	51,0	53,1	55,2
	1218E...B 36,7	38,8	40,9	43,0	45,1
	1226E...B 44,7	46,8	48,9	51,0	53,1
	AM1020...10 34,6	36,7	38,8	40,9	43,0
	DM1220...57 36,1	38,2	40,3	42,4	44,5

¹⁾ The reduction ratios are rounded, the exact values are available on request or at www.faulhaber.com.

Note: These gearheads are available only with motors mounted.



12/5